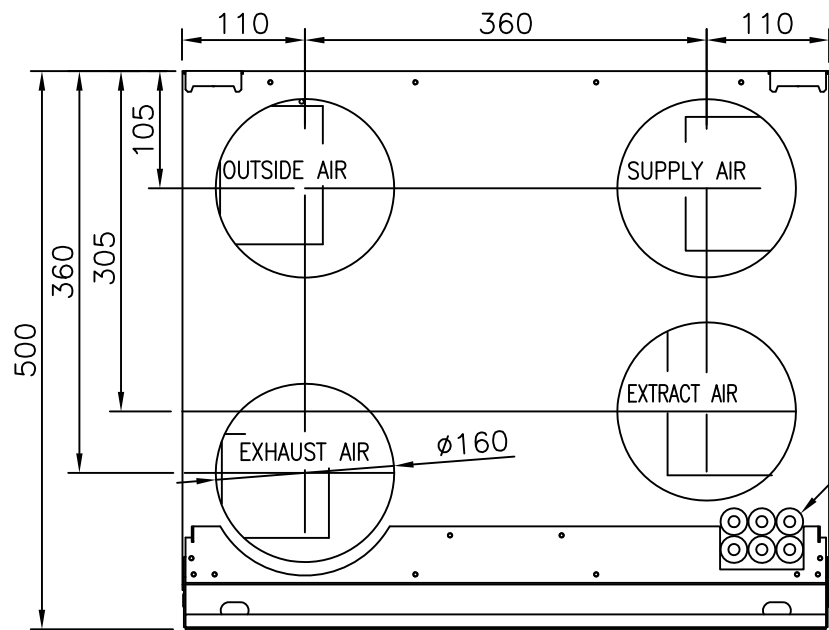


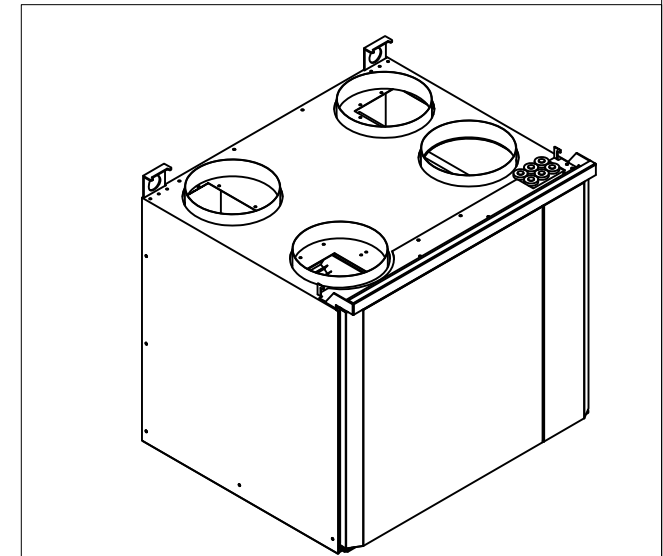
SERVICE
AREA
600x600

CONDENSATE WATER OUTLET
G 1/4" INSIDE THREAD



ELECTRICAL CONNECTIONS

SERVICE DOOR



GENERAL TOLERANCES
Welded structures:
EN ISO 13920-AE
Machined parts:
ISO 2768-mK

Item	Quantity	Title/Name, designation, material, dimension etc			Article no./Reference	
Designed by J.T	Checked by	Approved by		Filename	Date 20130220	Scale 1:1
PINGVIN RIGHT HAND				Title/Name DIMENSION DRAWING	Weight kg	
Ensto Enervent Oy Kipinätie1, FIN- 06150 PORVOO Tel. +358-207-528800, enervent@ensto.com				Drawing number PINGVIN K00 002	Edition B	Sheet 1

Rev	Revision note	Date	Signature	Checked