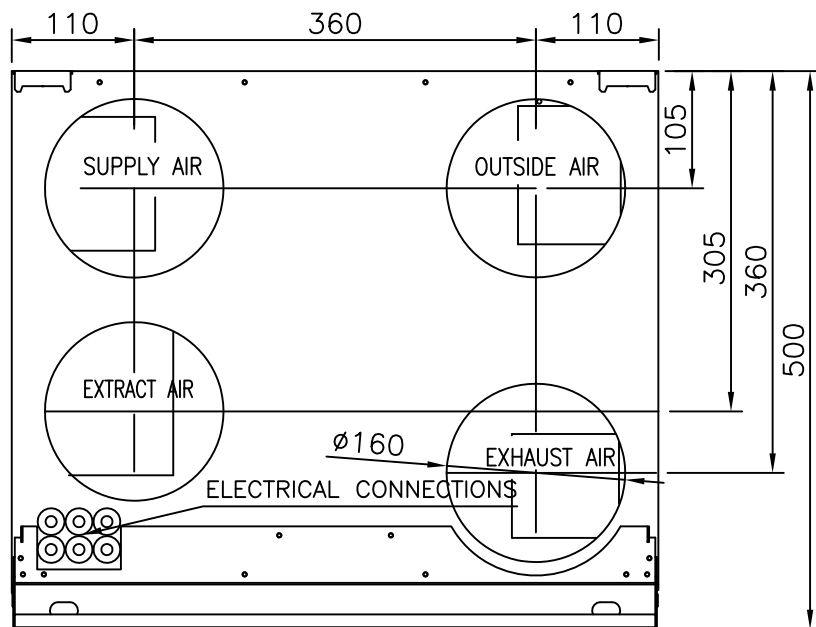
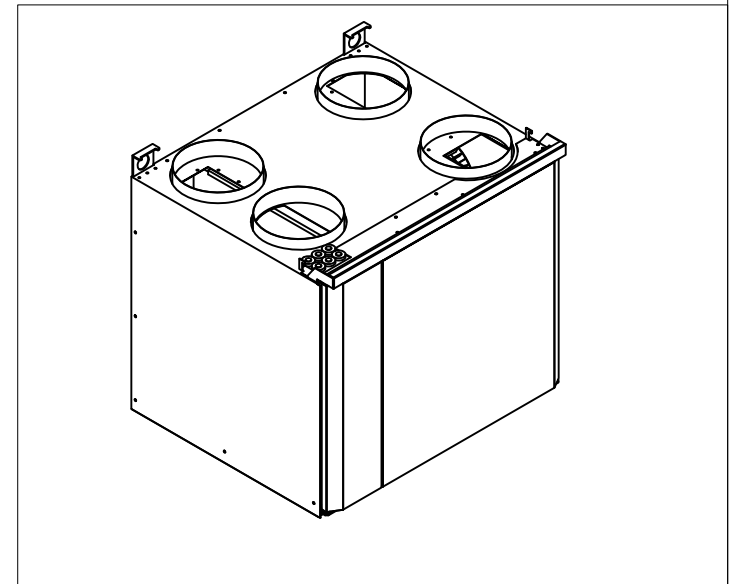


SERVICE  
AREA  
600x600

CONDENSATE WATER OUTLET  
G 1/4" INSIDE THREAD



SERVICE DOOR



GENERAL TOLERANCES		Item			Quantity		Title/Name, designation, material, dimension etc			Article no./Reference	
Welded structures: EN ISO 13920-AE		Designed by	Checked by	Approved by	Filename		Date		Scale		
Machined parts: ISO 2768-mK		J.T					20130220		1:1		
PINGVIN LEFT HAND							Title/Name			Weight kg	
							DIMENSION DRAWING				
Ensto Enervent Oy Kipinätie 1, FIN-06150 PORVOO Tel. +358-207-528800, enervent@ensto.com							Drawing number			Edition	
							PINGVIN K00 003			Sheet	
										1	

Rev	Revision note	Date	Signature	Checked
-----	---------------	------	-----------	---------