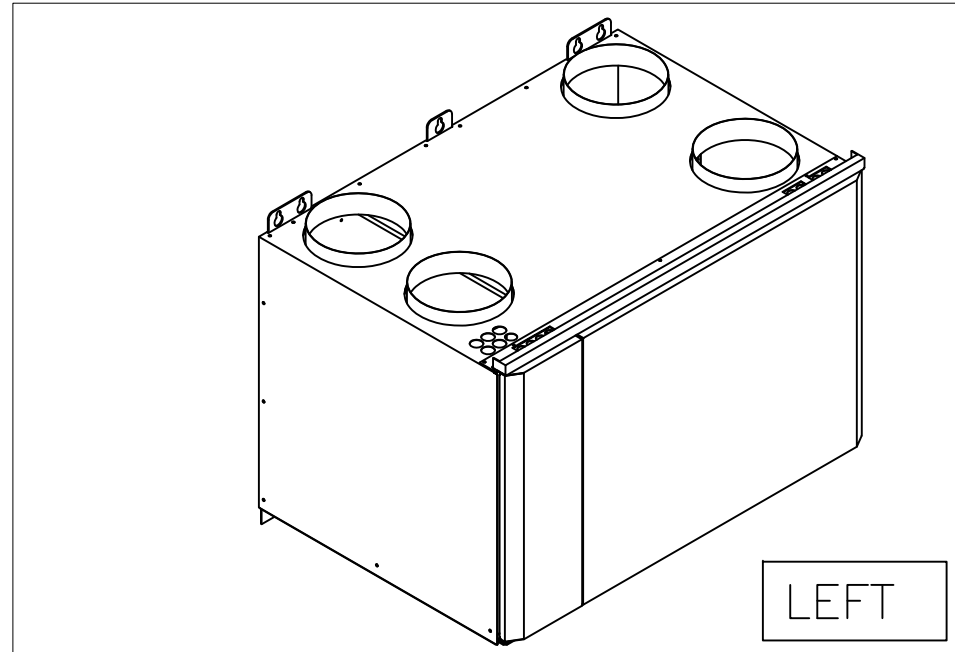
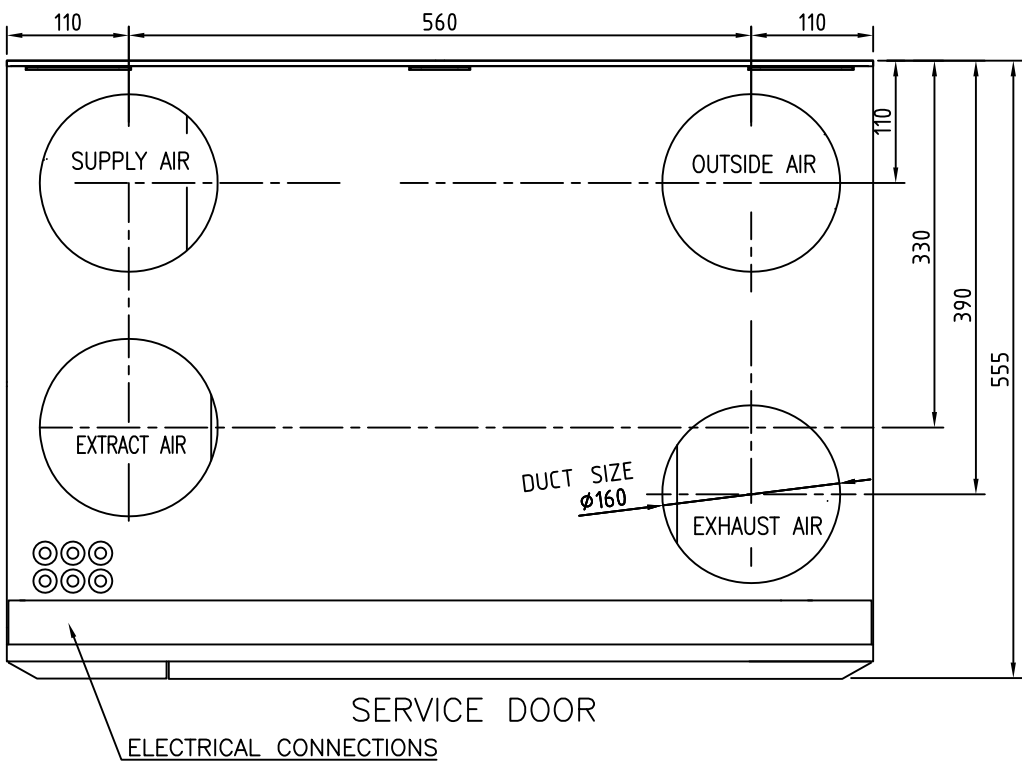


SERVICE
AREA
800x650



Designed by J.T	Checked by	Approved by		Filename U:\VAKIO TAPPINGVIN\053PINGVIN\SUUN	Date 20090325	Scale 1:7
PINGVIN XL LEFT HAND			Title/Name DIMENSION DRAWING		Weight kg	
Ensto Enervent Oy Kipinätie1, FIN- 06150 PÖRVOO Tel. +358-207-528800, enervent@ensto.com			Drawing number PINGVIN XL 005		Edition A Sheet 1	

Rev	Revision note	Date	Signature	Checked
				20020507