

Enervent LTR-7 XL

COMPREHENSIVE TECHNICAL DETAILS



enervent

Enervent LTR-7 XL

The Enervent LTR-7 XL unit is best suited for large detached houses and public spaces, such as schools and kinder gardens.

The LTR-series units are designed for installation in the roof, in the attic, in a false ceiling or in a technical space. The horizontal installation often saves a lot of space. LTR-series units are well insulated and can be installed in cold places. The unit needs additional insulation if the temperature around it drops below -10°C. The simple but ingenious structure and the low pressure drop of the unit ensure an inexpensive and safe operation.

Enervent LTR-7 XL is a 'non-residential ventilation unit' (NRVU) according to the EU Commission Regulation No 1253/2014. Ventilation units with maximum flow rate between 250 and 1 000 m³/h which the manufacturer has not declared intended as being exclusively for a residential ventilation application are called non-residential.

Non-residential ventilation units (NRVUs) are excluded from EcoDesign labelling.

Our calculation software Energy Optimizer, located on our website www.enervent.com, reports whether the chosen NRVU unit fulfills the EcoDesign requirements or not for the intended project.

Technical details

General information

Air volume flow	620...1 400 m ³ /h
Pressure difference	50 to 200 Pa
Leakage	external < 5% (test pressure 300Pa) internal < 5%
Duct size	Ø 250 mm
Weight	130 kg
Standard filters, 2 x bag filter Filter dimensions (WxHxD)	M5/M5 287 x 592 x 340 mm
Alternative filters, 2 x bag filter Filter dimensions (WxHxD)	F7/M5, F7/F7 287 x 592 x 340 (305, F7) mm
IP class	IP44 (external control IP20)
Condense connection	¼" internal thread
Nominal voltage	230 V, models with electrical heater 400 V
Nominal current	Motors 7.0 A total Electrical after heating 2 x 10 A, 400 V

Fans

Supply and exhaust air fan type	Ebm-Papst
Supply and exhaust air motor type	G3G225-AD29-71
Nominal voltage	230 V (AC), EC-type with external electronics
Type of fan blade	Radial forward
Nominal power	545 W
Acoustical data	
Fan control ECC/ESC control	4 step (parallel running, possibility to drive supply -20% lower to +10% higher than exhaust). Each step can be adjusted within 20% scale.
Fan control EDA/MD control	Stepless (supply and exhaust running separately)

Heat exchanger

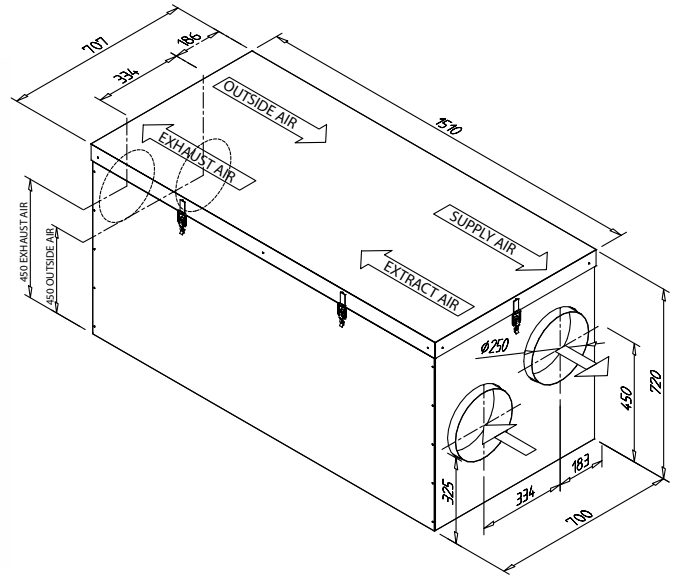
Heat exchanger type	Rotating heat exchanger
Material	Aluminium
Heat exchanger surface	92 m ²
Heat exchanger dimensions	520 x 200 (60 µ)
Heat exchanger motor	6 W
Heat exchanger efficiency	75 – 85 % p.a.

Other information

Material inside cover	Steel sheet, zinc coated
Material outside cover	Steel sheet, zinc coated
Sound level in supply air duct at fan speeds 20, 40, 60, 80 and 100% LWA	38, 51, 63, 70, 72 db(A)
LPA, dB(A), 10 m ² : sound absorption	
Standard electric after heater efficiency	4 000 W
Positioning of the water-circulating after heater	built-in
Positioning of a cooling (CG) coil	duct
Duct cooler measurements (WxHxL), mm	600x550x890 mm

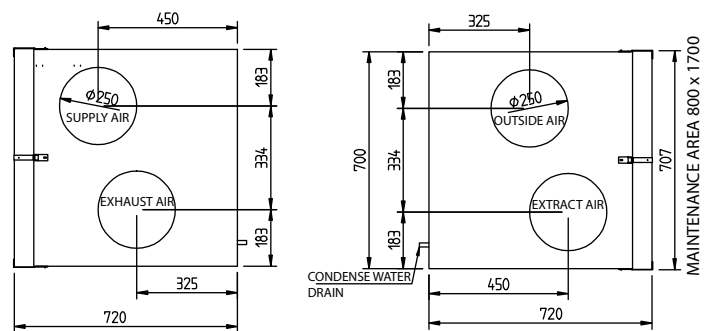
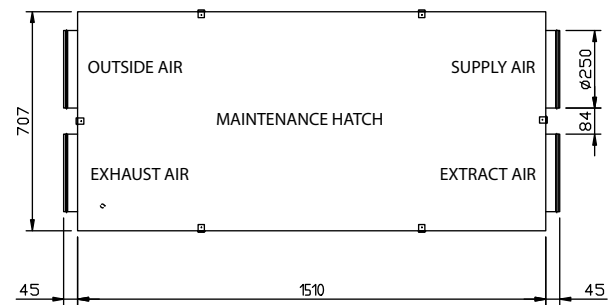
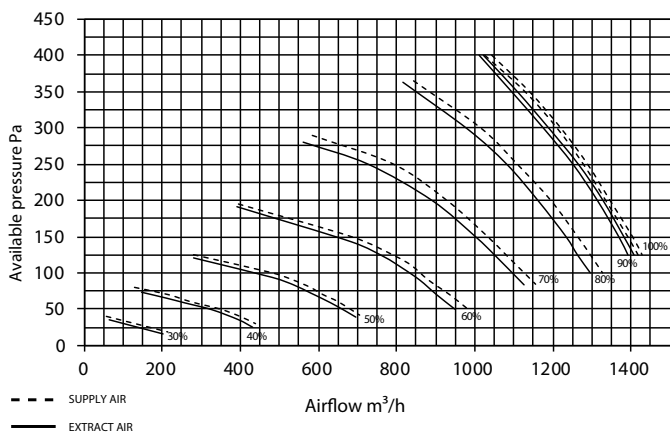


Dimension drawings



Characteristics

LTR-7 XL supply and extract air characteristic curves with M5/M5 filters



Installation

LTR-7 units can be installed with the maintenance hatch upwards or to either side. The unit must not be installed with the hatch downwards or with the duct connections vertically. LTR-7 units with cooling coils must be installed with the service hatch to the side.

Enervent Oy
Kipinätie 1, FI-06150 PORVOO
Tel +358 207 528 800
enervent@enervent.com
www.enervent.com

enervent